

FIRE PIT INSTALLATION AND OPERATING INSTRUCTIONS

401901RD MODELS: 401942FPL-18, 801942FPL-18, 821942FPL-18, TX1942FPL-18, TX1942FPL-25 **401901RCT MODELS:** TX1953FPL-18, TX1953FPL-25

INSTALLER: Leave this manual with the appliance.
CONSUMER: Retain this manual for future reference.



WARNING

Do not store or use gasoline, or other flammable vapors and liquids, in the vicinity of this or any other appliance.

An LP-cylinder (Liquefied Petroleum) not connected for use shall not be stored in the vicinity of this or any other appliance.



DANGER

FIRE OR EXPLOSION HAZARD

If you smell gas:

Shut off gas to the appliance.

Extinguish any open flame.

If odor continues, leave the area immediately.

After leaving the area, call your gas supplier or fire department.

Failure to follow these instructions could result in fire or explosion, which could cause property damage, personal injury, or death.



WARNING: For Outdoor Use Only.

Installation and service must be performed by a qualified installer, service agency, or the gas supplier.



DANGER



CARBON MONOXIDE HAZARD

This appliance can produce carbon monoxide which has no odor.

Using it in an enclosed space can kill you.

Never use this appliance in an enclosed space such as camper, tent, car, or home.




WARNING: If the information in this manual is not followed exactly, a fire or explosion may result causing property damage, personal injury, or loss of life.

INSTALLATION

Tropitone recommends that all gas products be installed by professionals that are licensed by the local authority having jurisdiction in gas piping.

MAINTENANCE

Tropitone recommends that all gas products installed in the USA and CANADA be serviced and maintained by professionals that are certified by the National Fireplace Institute (NFI) as NFI Gas Specialist or by the Wood Energy Technical Training (WETT).

 Follow the instructions in this manual carefully to reduce the risk of personal injury, death or property loss.



WARNING

Improper installation, adjustment, alteration, service, or maintenance can cause severe injury or death and may result in property damage. Read these installation, operating and maintenance instructions thoroughly before installing or servicing this equipment.

Some information listed in this manual has headings which have been highlighted In order to assist you in identify critical pieces of information. They can be identified as follows:



WARNING Contains information critical to the safe installation and operation of the unit.



DANGER Contains information critical to the safety of you, your personal property and others around this product.



IMPORTANT Contains information that will help you to have the most enjoyable experience with this unit and maintain serviceability.



WARNING It is the installer's responsibility to ensure this product has been installed in accordance with the local codes applicable and that the end user has been educated on the safe and proper operation of the unit.



WARNING Tropitone recommends that all gas products installed in the USA and CANADA be serviced and maintained by professionals that are certified by the National Fireplace Institute (NFI) as NFI Gas Specialist or by the Wood Energy Technical Training (WETT).

**DANGER**

This product is not intended to be used as a starter for wood or any other combustible material.

**WARNING**

It is the installer's responsibility to ensure this product has been installed in accordance with all the local codes applicable. In the absence of local codes, please follow:

- For Fixed Piping Systems: The National Fuel Gas Code, ANSI Z223.1/NFPA 54 or the International Fuel Gas Code.
- For Electrical: The National Electrical Code, ANSI/NFPA 70.

**WARNING**

Use only the gas or fuel type specified for this unit. See the label near the controls. Verify the gas or fuel is correct and the proper pressure available. NEVER use an alternative fuel, including bio-fuel, ethanol, or any other fuel type with this unit.

The proper pressure and gas type must be checked prior to installation. A 1/8" NPT test port is provided at the burner assembly connection beneath the burner tray.

- LP Gas:
- Supply Pressure: Minimum 8.0" WC (water column), Maximum 15.0" WC
- Outlet Pressure : Minimum 10.0" WC, Maximum 12.0" WC

**DANGER**

All Fire Pits are designed and intended for outdoor use only. Never install or operate indoors. Burning gas (both Natural and LP) produces fumes which can be dangerous if inhaled. Always insure there is proper ventilation when using any fire products.

**DANGER**

All Fire Pits are designed and intended for outdoor use only. Never install or operate indoors. Burning gas (both Natural and LP) produces very high temperatures. Always insure all combustible materials are kept far enough away to prevent accidental ignition.

**IMPORTANT**

When selecting a location for this product, insure that there is at least 48" clearance to access the controls and the gas tank on LP units. Any guard or other protective device removed for servicing must be replaced prior to operating the appliance.

**WARNING**

Never leave this product on when unattended. Educate all persons, including children that may come in contact with this unit of the danger of high temperatures produced when operating, including surface temperatures. Clothing and other flammable materials should not be hung from the appliance, or placed on or near the appliance. Young children should be carefully supervised when they are in the area of the appliance.

**IMPORTANT**

It is recommended that material such as granite, marble or other dense stone be kept away from heat and flame due to the risk of cracking. Tropitone will not be held responsible for materials damaged due to excessive heat.

**DANGER**

Do not install this product under any type of covering, including overhangs, patio covers, umbrellas, cabanas, tree limbs or branches. The risk of fire, inhalation of fumes, and exposure to excessive heat increases greatly if this product is installed under any type of covering, which could result in personal injury, damage to property or death.

**IMPORTANT**

- It is important that the gas line feeding the fire pit if piped is a minimum of 3/4" or larger, based on the distance from the fuel source.
- Choose a location which has proper drainage.
- Choose a location with a minimum clearance of 48" from other structures.

**WARNING**

It is the responsibility of the person installing this unit to test and verify that there are no gas leaks after all connections are made. NEVER test for gas leaks with a flame. Use only a gas leak detector or gas reactant.

**WARNING**

Use only joint compound or tape that is approved for use with all types of gas. Apply to all male pipe fittings only. DO NOT use on FLARED fittings. Be sure all joints are tightened securely before lighting.

**WARNING**

Installation and repair should be done by a qualified service person. The appliance should be inspected before use and at least annually by a qualified service person. More frequent cleaning may be required as necessary. It is imperative that control compartment, burners, and circulating air passageways of the appliance be kept clean.

**DANGER**

When using glass media in a fire pit, use only approved fire glass or fire pebbles and insure that there is only enough to hide burner. Applying over 1/2" of any media over the burner may create back pressure which can result in gas leakage from the air mixer. This may result in a dangerous situation which can result in personal injury, damage to property or death.

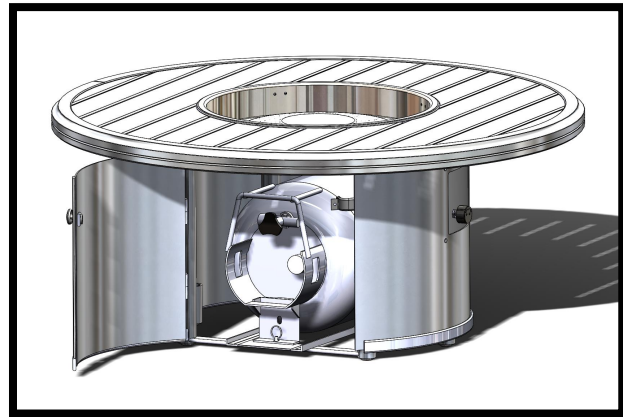
**DANGER**

Do not use this appliance if any part has been under water. Immediately call a qualified service technician to inspect the appliance and replace any part of the control system and any gas control which has been under water.



Vertical Propane Tank

R9T18FIRE



Horizontal Propane Tank



WARNING: The LP Gas tank or cylinder used must comply with the following requirements. Use of other tanks or cylinders which do not meet these requirements may create an unsafe condition which could cause injury or death to you, or damage to your personal property, including the risk of fire or explosion.

The cylinder or tank used must be:

1. Constructed and marked in accordance with the U. S. Department of Transportation (D.O.T.) Specifications for LP-Gas Cylinders, or the Standard for Cylinders, Spheres and Tubes for Transportation of Dangerous Goods and Commission, CAN/CSA-B339 as applicable;
2. Provided with a Listed overfilling prevention device; and
3. Provided with a cylinder connection device compatible with the connection for the appliance.



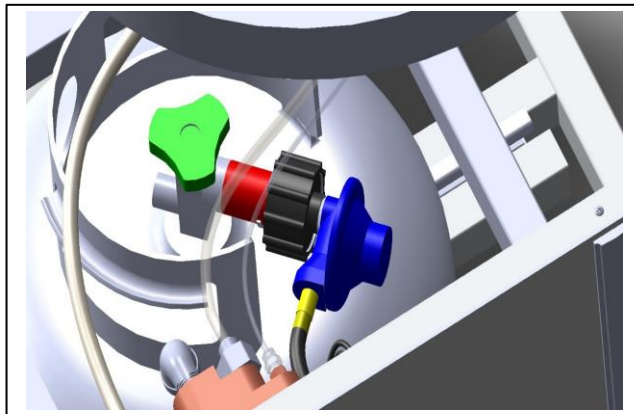
IMPORTANT: The LP Gas tank must be secured in the fire pit.

For 18" height bases, remove quick release pin by pulling the key ring in an upwards direction, slide horizontal LP gas tank into the base. Line up front slot of horizontal LP gas tank with the hole in the mounting bar. Insert quick release pin to secure the horizontal LP gas tank.

For 25" height bases, place the LP gas tank in the tank retaining ring.



DANGER Do not use a vertical LP gas tank in place of a horizontal LP gas tank in 401901RD and 401901RCT base models that are 18" tall.



You can now connect your LP gas tank to the Fire Pit, using the standard propane gas hose with built in regulator (shown in blue). Hand tighten the propane tank gas connector (shown in black), to the tank valve (shown in red). **CAUTION:** Do NOT use tools to tighten this connection. Open the gas valve on the tank by turning the gas valve knob (shown in green) counter-clockwise (to the left) until fully open. **See diagram located above.**

To remove the gas tank, first turn off the gas valve by turning the knob fully clockwise (right), then unscrew the gas connector counter-clockwise (left) and move the gas hose to a secure location to prevent accidental damage.



WARNING Inspect the hose and tank connector before each use to insure there is no damage caused by rodents, weather or other conditions. NEVER use any Fire Pit which has any components, including the gas hose or gas tank connector damaged in any way. If you find any damage, turn off the valve on the gas tank and call a licensed repair technician to replace damaged components. Replace any damaged items with components that have the exact same ratings.



WARNING: Before you turn on your Fire Pit for the first time, you must test your connections to insure there are no leaks. Gas from leaking joints can pose a serious threat to your personal property, yourself and others near this Fire Pit. NEVER use a lit match, lighter or other sources of fire to check joints for leaks. Use a gas leak detection kit available from your local home improvement store and follow all directions supplied by the manufacturer.



WARNING: Inspect the burner assembly at least every six (6) months to insure there is no damage before use. Clean your burner at least every six months to insure proper operation.

FLAME GUARD INSTALLATION

Please follow the instructions below if you have a Matrix top fire pit. The model numbers for these fire pits are TX1942FPL-18, TX1953FPL-18, TX1924FPL-25, TX1953FPL-25.



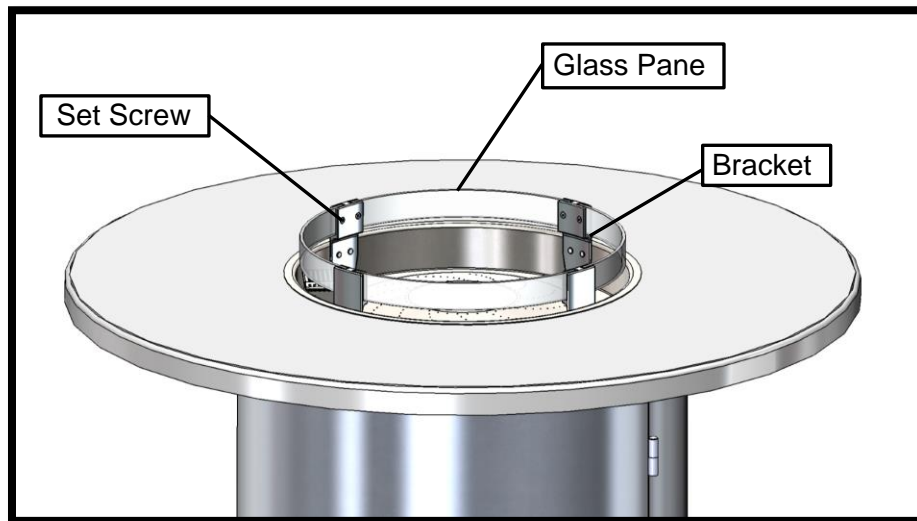
WARNING: Do not try to lift or flip components with only one person. Components may be heavy and awkward to handle, and may result in injury to persons or damage to property if not lifted properly. Safety Glasses must be worn when handling glass components.



WARNING: When instructed to fully tighten screws, do not over tighten and strip the threads or stress the glass.



DANGER: Do NOT touch the Flame Guard directly after use, all surfaces will be HOT! Please allow your Flame Guard to completely cool before handling. Do NOT pick up the Flame Guard by the glass pieces.



The tools needed to install the Glass Pane on the fire pit are a #3 Phillips Screw Driver and safety glasses.

The Brackets will come pre-installed on your fire pit. Before you begin attaching the Glass Panes to the Brackets, take a moment to partially back out the Set Screws with plastic nibs on all Brackets. The plastic nibs fit on to the end of the Set Screws and will protect the Glass Panes from the metal end of the screws.

DO NOT over tighten the screws. Over tightening may cause the glass to break.

Carefully insert Glass Plane between the slots in the Brackets. Tighten the Set Screw with plastic nib to secure the Glass Pane. Repeat this process for all Glass Panes.

FIRE MEDIA INSTALLATION

Please follow the instructions below to add the finishing touch to your Fire Pit. Your Fire Pit needs fire media in order to get the proper flame characteristics from the burner assembly. The media can be decorative fire glass, fire pebbles, lava rock or other fire media specifically designed for outdoor fire pits and fireplaces. **Fire media is not included with Fire Pit and must be purchased separately.**



DANGER The burner may be *lightly* covered by fire media. Proper air flow is required in order to prevent suffocation and possible gas buildup. If the main burner does not ignite quickly, gas can build up in the burner tray and ignite violently. **Ignition of gas which has built up can create an unsafe condition, and may cause injury or death, and may damage personal property. The deeper your decorative glass, fire pebbles or lava rock, the more risk of reducing or smothering the flame from the burner.**

Decorative Glass or Fire Pebbles Application

- 1) Install your Fire Pit per instructions.
- 2) Apply decorative glass or fire pebbles just deep enough to cover bottom of pan.



Lava Rock Only Application*

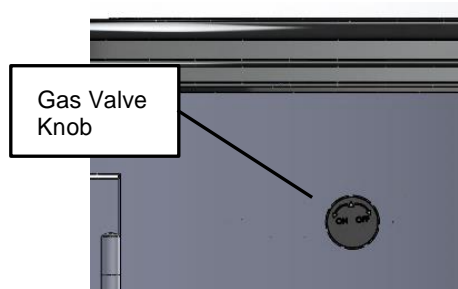
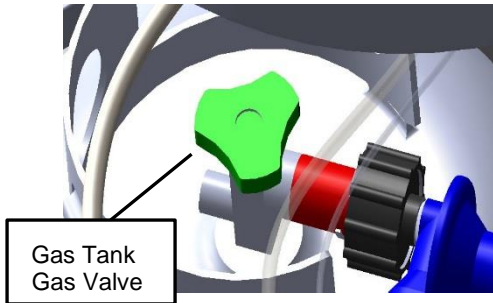
- 1) Install your Fire Pit per instructions.
- 2) Apply lava rock ONLY deep enough to cover ring and pan- no more than 1/2" above the burner.



*Lava rock not available from Tropitone.

LIGHTING INSTRUCTIONS

To light your new Fire Pit, complete all installation and safety instructions above.

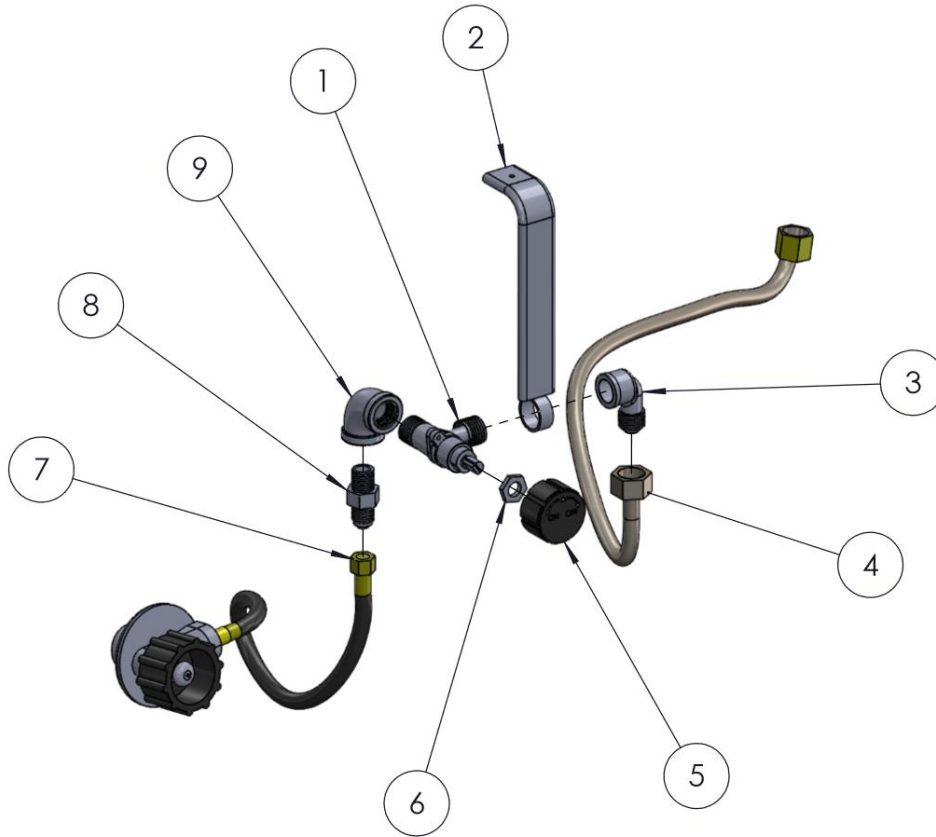


1. Gas valve knob should be in off position.
2. Make sure the gas valve on the gas tank is open (turned all the way to the left).
3. Rotate gas valve knob half way to the center position.
4. Wait 3 seconds for the gas to reach the burner.
5. Use a long lighter to light the burner.
6. Once lit, turn knob clockwise (right) and adjust the flame as desired.
7. NOTE: If flame goes out, rotate knob to off position, wait 5 minutes for gas to clear, repeat Steps 3 ~ 6.
8. Once Fire Pit has ignited, DO NOT leave unattended.

FIRE PIT SHUTDOWN

1. Turn "off" fire pit by turning gas valve knob counter-clockwise (left) to "OFF" position.
2. Turn "off" gas to Fire Pit at LP tank or other remote location.
3. Once Fire Pit has cooled completely, use appropriate cover (sold separately) to protect Fire Pit.

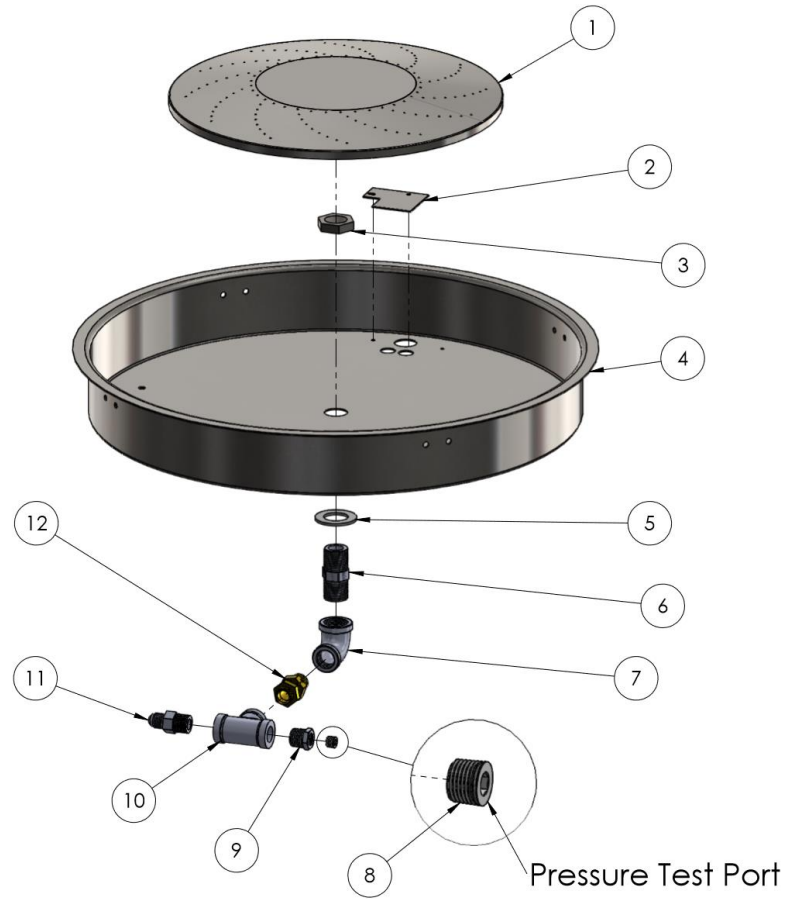
INTERNAL CONTROLS (401901RD & 401901RCT BASE)



PARTS LIST

<u>Item No.</u>	<u>Description</u>	<u>Part No.</u>
1	Gas Valve	R18VL108
2	Gas Plumbing Support Weldment	W401942FPSGV
	Gas Plumbing Support Weldment	WTX1953FPSGV
3	1/2" x 1/2" FIP 90	R15CO101
4	Gas Flex Line, 24" x 1/2"	R15SP100
5	Knob, Black, for Gas Valve	R02MS101
6	Nut, Retaining, M1 for Gas Valve	R02NU501
7	Gas Hose with Regulator, 3/8 x 36" Long	R18FH103
8	3/8" Flare x 3/8" MIPT	R18CO108
9	3/8" Female to 3/8" Female Elbow	R15CO112

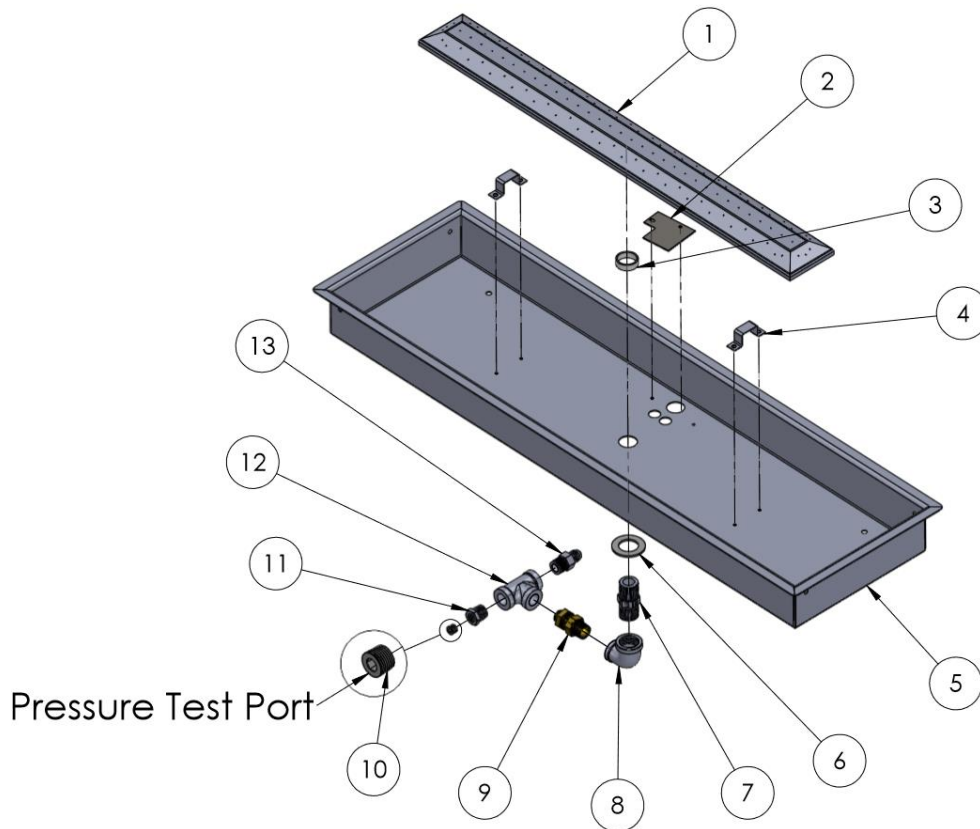
BURNER TRAY AND CONTROLS (401901RD BASE)



PARTS LIST

<u>Item No.</u>	<u>Description</u>	<u>Part No.</u>
1	Burner, Spun, 12" Diameter	STMPBA12
2	Cover Plate	R15MS343
3	Nut, 1/2" Stainless Steel	R02NU500
4	Burner Tray, Round 18"	R15MS300
5	Washer, 1.50" OD x 0.0890 ID x 0.09	R02WA880
6	Nipple, 1/2" Stainless Steel	R15CO106
7	Elbow, 1/2" FPT x 3/8" FPT	R18CO120
8	Solid Hex Socket Plug W/Thread Sealant	R02SC443
9	3/8" MPT x 1/8" FPT Reducing Bushing	R15CO110
10	3/8" FPT – "TEE"	R15CO109
11	1/2" Flare x 3/8" MIP Flare, Half Union	R18CO107
12	3/8" LP Gas/Air Mixer	R18VL109

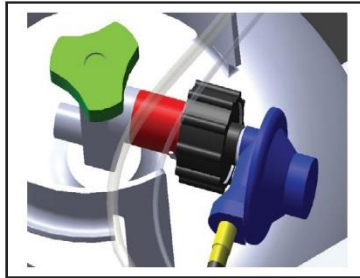
BURNER TRAY AND CONTROLS (401700RCT & 401800RCT BASES)



PARTS LIST

<u>Item No.</u>	<u>Description</u>	<u>Part No.</u>
1	Rectangular Stamped Burner	STMPBA243
2	Cover Plate	R15MS343
3	Spacer	M401767FPS
4	Burner Support	R15MS309
5	Burner Tray, 30" x 8" Rectangular	R15MS308
6	Washer, 1" Stainless Steel	R02WA880
7	Nipple, 1/2" Stainless Steel	R15CO106
8	Elbow, 1/2" FPT x 3/8" FPT	R18CO120
9	3/8" LP Gas/Air Mixer	R18VL109
10	Solid Hex Socket Plug W/Thread Sealant	R02SC443
11	3/8" MPT x 1/8" FPT Reducing Bushing	R15CO110
12	3/8" FPT – "TEE"	R15CO109
13	1/2" Flare x 3/8" MIP Flare, Half Union	R18CO107

FIRE PIT NATURAL GAS CONVERSION AND OPERATING INSTRUCTIONS

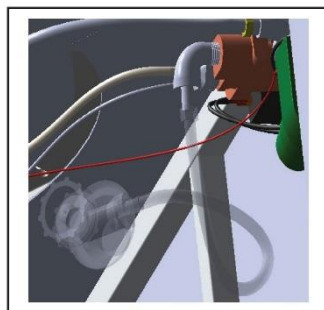


First turn the LP Gas tank (if installed) fully off by rotating the valve completely to the right until closed. Then disconnect the LP Gas tank hose with built in regulator (shown in blue) by turning the large connector (shown in black) fully counter-clockwise until the hose is completely disconnected.

The proper pressure and gas type must be checked prior to installation. A 1/8" NPT test port is provided at the burner assembly connection beneath the burner tray. When converting from LP to Natural gas, installer must remove the supplied gas hose and LP regulator and install the correct regulator for Natural gas. The regulator must limit the supply as specified below:

Natural Gas:

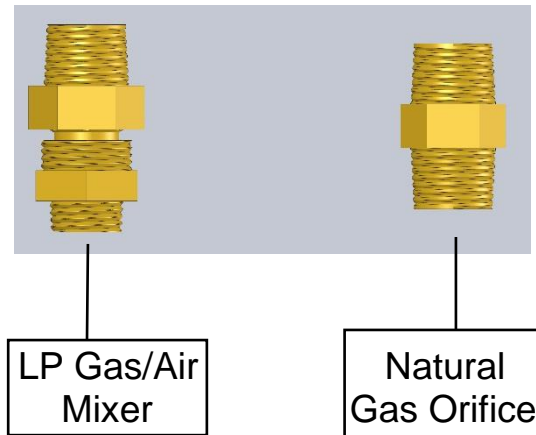
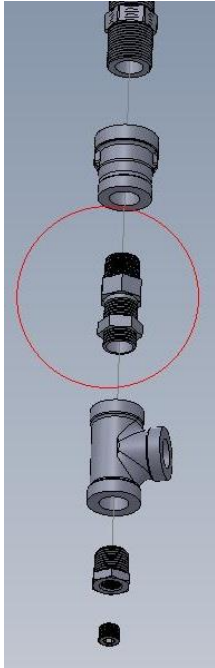
- Supply Pressure:
 - Minimum 5.0" WC (water column), Maximum 10.0" WC
- Operating Pressure:
 - Minimum 5.0" WC, Maximum 7.0" WC



Remove the LP Gas tank hose from the gas valve (shown in bronze) at the elbow (or straight connector) coming out of the gas valve as shown above. Connect your inlet supply line, including pressure regulator to this location. Follow all local codes. Do not install without a regulator, which will limit your fuel supply to 5 inches of water column.

CAUTION: Use a joint compound or thread tape approved for the type of gas this appliance is intended to use on all male threads EXCEPT compression threads. Never apply thread tape of compound to compression threads.

Beneath the Burner tray, locate the Gas/Air Mixer in the plumbing. Remove the LP Gas/Air Mixer and replace with the Natural Gas Orifice.


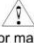



INSTALLER
REMOVE BOTTOM LABEL AND PLACE OVER
ORIGINAL RATING LABEL AS SPECIFIED IN
CONVERSION INSTRUCTIONS

THIS UNIT HAS BEEN CONVERTED TO NATURAL GAS

R9T0936

REMOVE

Tropitone Furniture Co., Inc. 5 Marconi, Irvine, CA 92618 1401 Commerce Blvd., Sarasota, FL 34243		
Model 401600RD	Rating: 25,000 BTU	Serial No. <input style="width: 50px;" type="text"/>
<div style="border: 1px solid black; padding: 2px;">This product is equipped for LP gas fuel. →</div> <p>For Outdoor Use Only. If Stored Indoors, Detach and Leave Cylinder Outdoors. Input: 25,000 Btu/h (26 kW) 11 in wc (2.73 kPa) Min. gas supply for input adj. 8 in wc (1.99 kPa) Max gas supply: 15 in wc (3.73 kPa)</p> <p>Do not install this product under any type of covering, including overhangs, patio covers, umbrellas, cabanas, tree limbs or branches. The risk of fire, inhalation of fumes, and exposure to excessive heat increases greatly if this product is installed under any type of covering, which could result in property damage, personal injury or loss of life. Install with a minimum 48" clearance on all sides.</p> <p style="text-align: center;"> WARNING</p> <p>Do not store or use gasoline, or other flammable vapors and liquids, in the vicinity of this or any other appliance. An LP-cylinder (Liquefied Petroleum) not connected for use shall not be stored in the vicinity of this or any other appliance.</p> <p style="text-align: center;"> WARNING</p> <p>Improper installation, adjustment, alteration, service or maintenance can cause property damage, personal injury or loss of life. Refer to the owner's information manual provided with this appliance. Installation and service must be performed by a qualified installer, service agency, or the gas supplier.</p> <p>The gas supply must be turned off at the gas supply when this appliance is not in use.</p> <p style="text-align: center;"> CAUTION</p> <p>The gas pressure regulator provided with this appliance must be used when operating with LP fuel. This regulator is set for an outlet pressure of 11 inches water column.</p>		
R9T0936	Rev. C 03JUN20	© 2020 Tropitone Furniture Co., Inc.

**PLACE OVER
THIS TEXT**

Once your Fire Pit has been converted to Natural Gas, please locate the small silver label and remove the bottom strip. Place this strip over the section indicated above, on the large label located on the inside door.

Tropitone Furniture Co., Inc.

5 Marconi
Irvine, Ca 92618
949-951-2010

www.tropitone.com

1401 Commerce Blvd.
Sarasota, Fl 34243

© Tropitone Furniture Co., Inc, 2020

