



Fire Pit Riser Assembly Instructions

Congratulations on the purchase of your Tropitone® Fire Pit Riser. Read through all steps before fastening components together.

WARNING: Do not try to lift or flip components with only one person. Components may be heavy and awkward to handle, and may result in injury to persons or damage to property if not lifted properly. Safety Glasses must be worn when drilling holes in frame components.

CAUTION: When instructed to fully tighten screws, do not over tighten and strip the threads.

- ✓ Read through all steps before starting assembly.
- ✓ Completely unpack all boxes and thoroughly check for items that may be individually wrapped.
- ✓ Check that all items listed in the Parts List are in your cartons.

Tools Required

7/16" Open End Crescent
Wrench

Safety Glasses

Round Fire Pit Riser Parts List

- (1) Round Fire Pit Riser
Frame
- (4) 1/4" - 20 x 3/4" Hex Head
Cap Screws
- (4) 1/2" Lock Washers

Square Fire Pit Riser Parts List

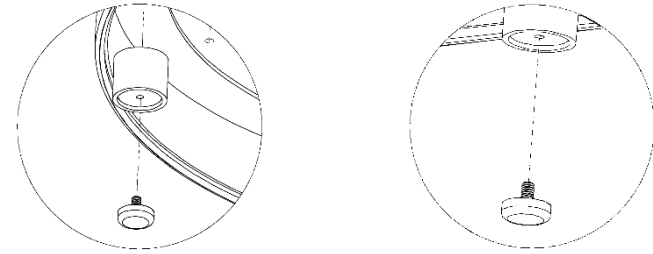
- (1) Square Fire Pit Riser Frame
- (4) 1/4" - 20 x 3/4" Hex Head Cap
Screws
- (4) 1/2" Lock Washers

CAUTION: Before installing the Riser on your Fire Pit, be sure to remove the propane gas tank or disconnect the natural gas connection.

Fire Pit Riser Assembly

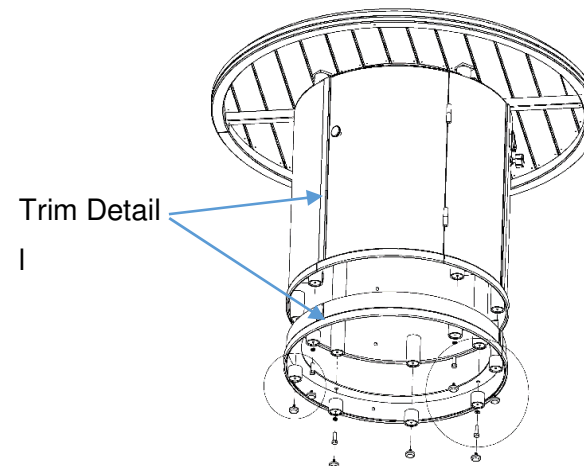
Prepare a smooth, non-scratch surface (a tarp or pool towels can be placed on your work surface). Place your Fire Pit on its side on the prepared work surface.

Remove the glides from the bottom of your Fire Pit. Retain the glides. They will be used on the Fire Pit Riser.

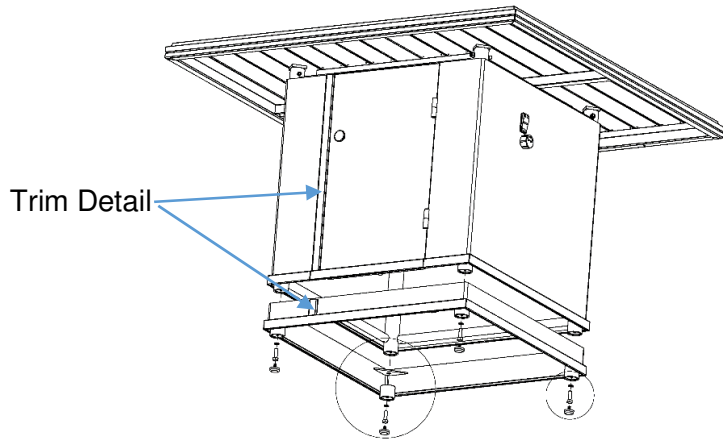


Install the glides by screwing them in to the bottom of the Fire Pit Riser. See diagrams below for both the Round Fire Pit Base and the Square Fire Pit Base.

Round Fire Pit Base



Square Fire Pit Base

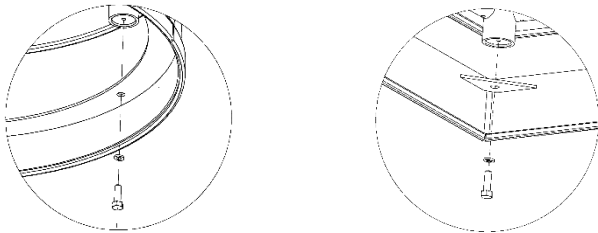


Tropitone

Tropitone Furniture Co., Inc.
5 Marconi, Irvine, CA 92618
949 951 2010 phone
www.tropitone.com

Locate the (4) brackets along the inner edges of the Riser. Place the Fire Pit on to the Riser brackets so that the holes on the brackets are aligned with the hole on the legs of the Fire Pit. Also take care to align the trim detail on the Fire Pit with the trim detail on the Riser.

Once the Riser is fully aligned, place a lock washer on to a screw. Loosely install the screw assembly through the underside of the Riser bracket into the screw hole on the Fire Pit leg. **Do not fully tighten at this point.** Repeat until all (4) screw assemblies are installed and then fully tighten all screws.



Return Fire Pit with installed Fire Pit Riser to the upright position. Install propane gas tank or attach natural gas connection.

For our current warranty and product care information, please visit www.tropitone.com / warranty
Part # R9T00023
©2015 Tropitone Furniture Co., Inc.
12/15

